



Ventomatic® FFL-4C

automatic loader for containers or closed trucks

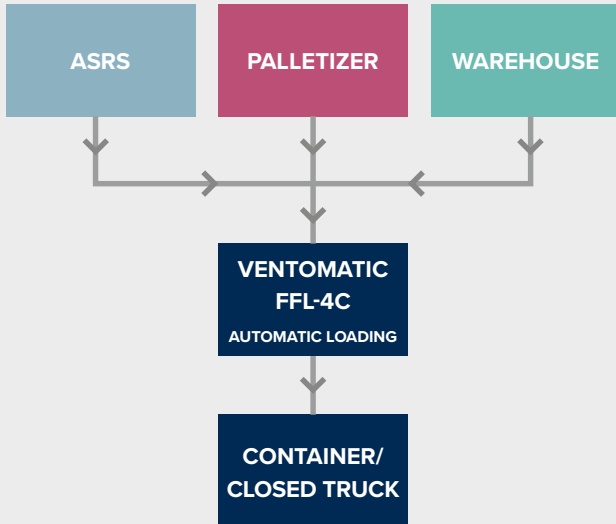
The Ventomatic® FFL-4C is an automatic loader for containers, closed trucks and open-top trucks. It is designed to load palletized goods, boxes, stacked bags, etc.

Benefits

- **Highest safety** conditions
- **High operating capacity:** up to 30 loading cycles/hour, with up to 5.000kg per loading cycle
- Loading of goods **with or without pallets**
- Complete automated operation, **only a supervisor required**
- **Minimal civil infrastructure** required as all equipment is installed on the ground floor
- **Short erection and commissioning** time (pre-wired, pre-assembled and pre-tested before delivery)
- No contact between FFL-4C loader and the platform of the truck

Improve your logistics

The Ventomatic® FFL-4C automatic truck loader can be fed directly by a palletizer or, from a warehouse with fork-lifts or, by an automatic storage and retrieval system (ASRS) or, a combination of these.



One of the main advantages of the FFL-4C is the possibility to load goods with or without pallets, thus offering a very high flexibility.

Simple operation

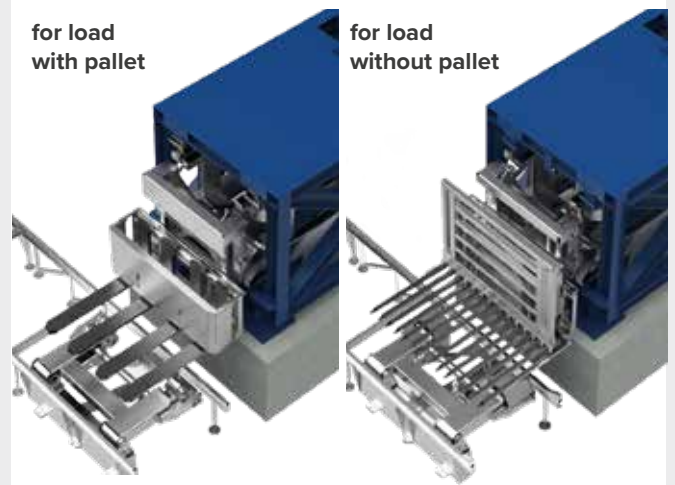
The loading cycle of the Ventomatic® FFL-4C is both fast and simple:

- Truck positions itself in front of the machine
- The system verifies the correct positioning and absence of possible obstacles inside the container / closed truck
- The operator starts the loading sequence based on the dispatch requirements from the user-friendly HMI
- A 40-foot container is typically loaded in 20 minutes only

As the fork modules are interchangeable, the same machine can be used for different load types based on the dispatch requirements:

- Palletized goods (bags, carton boxes, etc.)
- Stacked bags without pallets
- Jumbo bags
- Stackable bulk / liquid containers

Fork modules



Examples of loads



Software integration

The loading of the correct goods is ensured thanks to software integration with:

- Plant logistics SW
- Palletizer



FLSmidth Ventomatic

Via G. Marconi 20
24030 Valbrembo, Italy
Tel: +39 035 46 83 11
Fax: +39 035 52 80 27
E-mail: office@flsmidthventomatic.com
www.flsmidth.com

Copyright ©2019 FLSmidth A/S. ALL RIGHTS RESERVED. FLSmidth, Ventomatic, are (registered) trademarks of FLSmidth A/S. This brochure makes no offers, representations or warranties (express or implied), and information and data contained in this brochure are for general reference only and may change at any time.