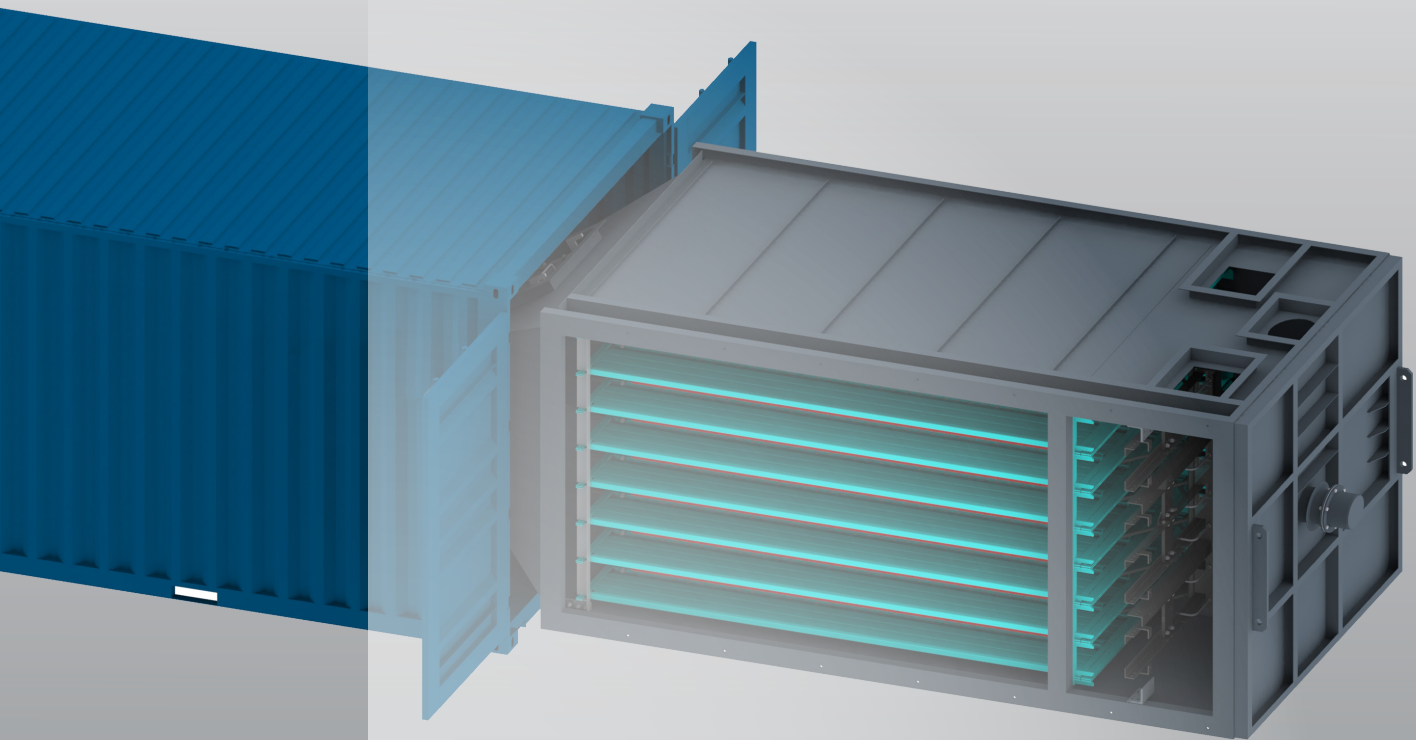


AIRTECH
AIR POLLUTION CONTROL

CompactClean™ Electrostatic Precipitator (ESP)



Low TCO air pollution control solution

The production industry is under continued pressure to improve environmental performance. Air pollution control measures such as electrostatic precipitators, are an essential means of reducing dust emissions and can be challenging to implement.

The flexible option for air pollution control

Long erection times are expensive and inconvenient and installation problems caused by inexperienced contractors can impact the equipment's performance.

That's why we have developed the modular ESP – a simpler but equally effective air pollution control solution designed for fast on-site erection.

Our modular ESP solutions prioritise performance while also delivering the lowest total cost of ownership (TCO). Designed for the smaller applications typically relevant in district heating, biomass or power boilers, lime kilns, brick ovens and special metallurgical processes, these ESPs are engineered to deliver industry-leading efficiency and performance, while benefiting from a simple modular design that minimises onsite installation work.

Not only can they be installed in weeks rather than months, but they match fabric filters in efficiency, delivering reliable dust emission control down to 5 mg/Nm³.

Key benefits

■
Preassembled,
pre-erected

■
Easy container
transport

■
Standard
modules

■
Flexible
layout

■
Simple and
fast erection

■
High quality, low
cost sourcing

Built for high performance and low cost of ownership

Flexible and fast – ESP installation according to your specifications

Preassembled, pre-erected

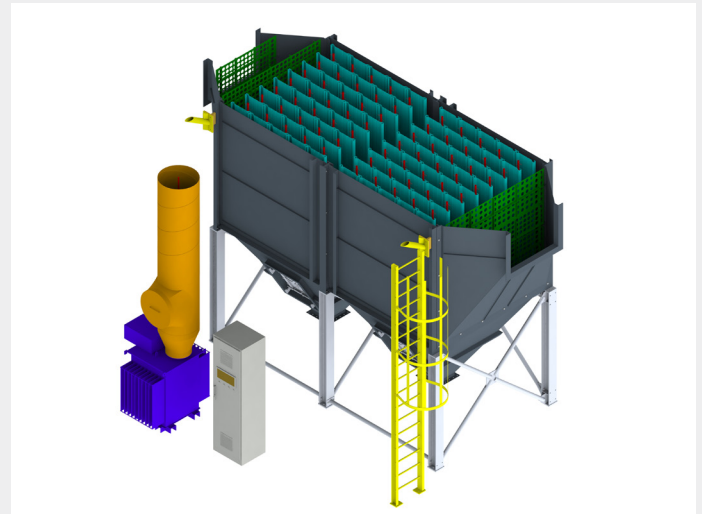
Every aspect of the modular ESP is designed for the lowest cost, maximum simplicity and optimum performance. The flexible modular concept utilises a high degree of standardisation, which brings down the purchase price. The modules are preassembled with internals fully pre-erected and secured for transportation from the workshop.

Easy container transport

Each module cross-section is optimised to fit into shipping containers, ensuring easy and low-risk transportation by land and sea.

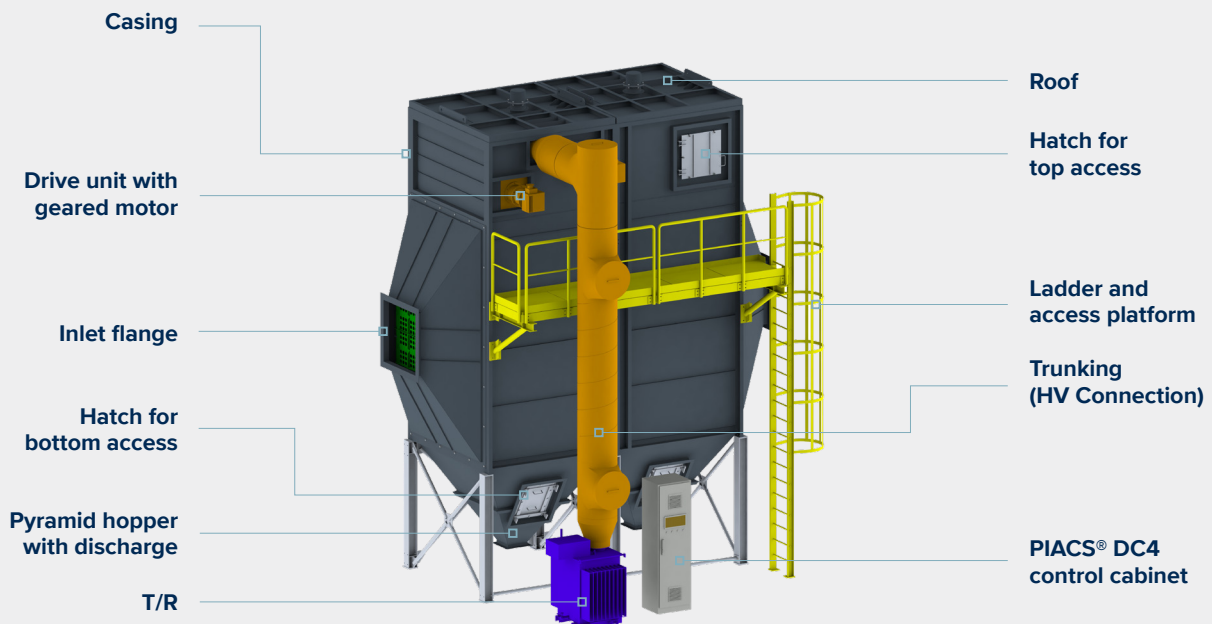
Installation in weeks not months

By undertaking the maximum degree of workshop preassembly, customers benefit from shorter on-site erection time and thus a significantly lower total cost.



View of internals

CompactClean™ ESP



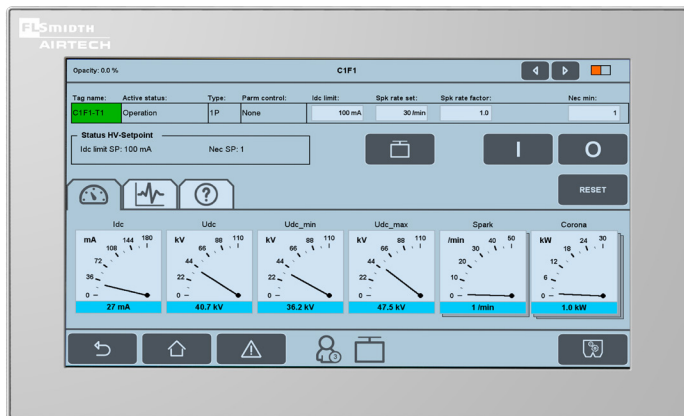
Flexible layout

We are offering three module types, enabling a number of flexible combinations. Modules can be combined in series and parallel configurations and the module height is flexible, covering a range from small to medium volume flows. Our expert process team will work with you to define the total number of modules needed to meet your specific dust control requirements.

The same high standards

Our modular ESPs benefit from several existing FLSmidth products and features, including:

- Proprietary microprocessor controls (PIACS DC4), enabling the modular ESP to react efficiently to process variations. This ensures that outlet emissions remain low even under challenging conditions
- High-voltage Fibulax® electrodes for specific process and operating conditions – maximising utilisation of power input and increasing efficiency
- Optimized rapping systems with standard tumbling hammers for cleaning collecting plates and electrodes efficiently



PIACS® DC4 ESP controller



Container unloading



Workshop preassembly

Specification table for CompactClean™ ESP

Volume flow, interval	11,500 to 47,500 Am ³ /h Expandable with parallel configuration
Flue gas temperature	Max 250°C higher on request
Pressure, static max	-500 mmWG
Inlet dust load	10 g/Nm ³ higher on request
Industry	Biomass, Pulp & Paper, Steel (room dedusting) & other selected applications
Emission limits	Down to 5-10 mg/Nm ³ depending on application
Availability	at least 98%

FLSmidth A/S

Vigerslev Allé 77
2500 Valby
Denmark

Tel. +45 3618 1000
Fax +45 3630 1820
info@flsmidth.com

www.flsmidth.com

Copyright © 2020 FLSmidth A/S.
ALL RIGHTS RESERVED. FLSmidth is a (registered) trademark of FLSmidth A/S. This brochure makes no offers, representations or warranties (express or implied), and information and data contained in this brochure are for general reference only and may change at any time.